



200 Series

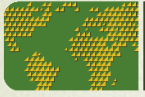
# Mounted Bedding Plow



**Savannah**<sup>®</sup>

AGRO-FORESTRY SOLUTIONS





**Savannah®**

AGRO-FORESTRY SOLUTIONS

**Savannah® 200 Series Mounted Bedding Plows are offered with a variation of mount and lift assembly options.**

The Magnum 200 Series Plows are available in a number of configurations to achieve the desired cultivation specifications per the application.

Plows are available in 2 – 6 disc and 1m – 2.5m wide configurations using 32” or 36” discs. (42” discs are available upon request.) Magnum 230 and 250 are 3 and 5 disc models respectively, that offer “full tillage” across the bed with the use of a center mounted disc. The extra energy of this disc provides greater tillage under the planting zone of the seedling.

Heavy-Duty Stump-Jump™ Magnum Jump Arms are the standard in relieving plow technology for proven durability. When mounted on a ripper beam of a dozer, it provides excellent tillage for improved seedling survival and growth. Patented ‘High-Lift’ Jump Arms provide 36” of disc clearance when fully deflected to clear an obstacle such as a stump or large rock.

Mounting configuration designed to fit all options: “J-Hook” quick-release mount, weld on Dozer Ripper Brackets, 3 Point Linkage Assemblies on 4WD Tractors, or Mounted Lifting Assembly for Skidders and Dozers.







**Savannah®**

AGRO-FORESTRY SOLUTIONS

## FEATURES

- Patented High-Lift Stump-Jump™ feature provides 36" of clearance under the disc for years of low maintenance production
- Standard Configurations use 32" or 36" Durable Boron Discs; 42" available upon request
- 2.5 Gallon Nitrogen Accumulator
- 2.5" Jump Arm Displacement Cylinder
- Adjustable Disc Pressure Range, from 500 – 2400 psi
- Ripper Mounting Brackets for all Dozer makes and models
- Parallel Lift Assembly with "J-Hook" Quick-Release Mount System for Skidder and Dozer Applications
- Radial Articulating Lift System for Dozer Applications
- Full Tillage that utilize a center disc for tillage under the planting zone
- **US Pat. No. 6213220**





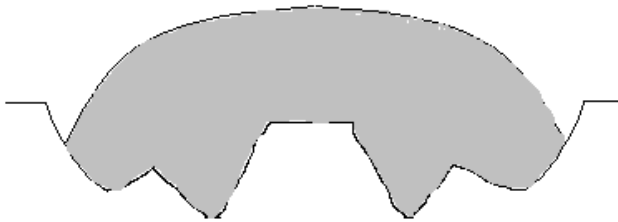


AGRO-FORESTRY SOLUTIONS

## 'FULL TIL' BEDDING

Savannah®'s proprietary Full Til' Jump Arm geometry uses a 36" inch disc as an effective means to cut through root mat and compacted soils. The Heavy-Duty High-Lift Magnum Jump Arm provides tillage 10" – 14" deep and is also available with an optional independent hydraulic accumulator for maximum penetration in extreme conditions. 'Full Til' Bedding offers options to replace sub-soiling with a rigid tine.

### Standard Bedding



Center Planting Zone Not Fully Cultivated

### 'Full Til' Bedding



Complete Cultivation Under the Planting Zone



Savannah® Magnum 250, 5-Disc, 'Full Til' Plow with Parallel Lift Assembly mounted to Caterpillar 545C Skidder





Savannah® Magnum 240 with Radial Lift Assembly mounted to Caterpillar D6R



Savannah® Magnum 240 with J-Hook Quick Release Ripper Mounts mounted to a CAT D8K





**Savannah®**

AGRO-FORESTRY SOLUTIONS

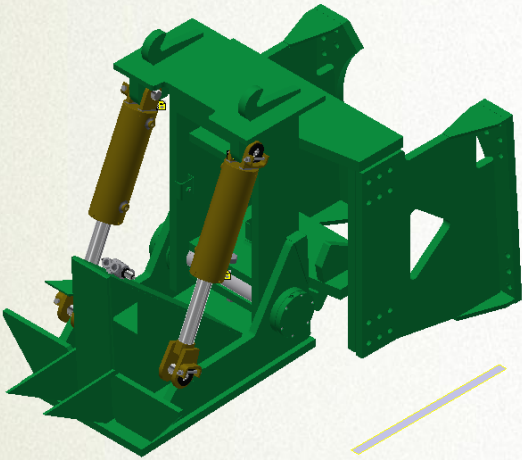
## Mount Options

200 Series Plow Roller Mount Options Include

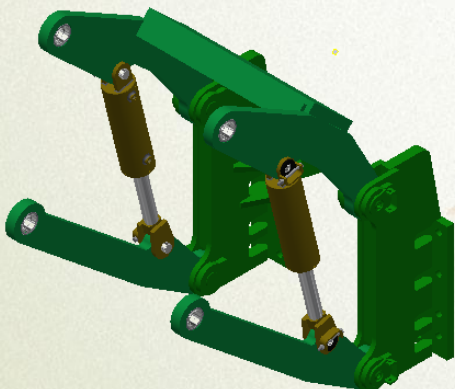
1. Radial Lift Assemblies for Bull Dozers
2. Parallel Lift Assemblies for Skidders and Tractors without 3 Point Lift Systems
3. 3 Point Lift System Adapters
4. J-Hook Quick Attach Brackets

### Radial Lift Assembly

Weld on and "J-Hook" Quick Attach Configurations

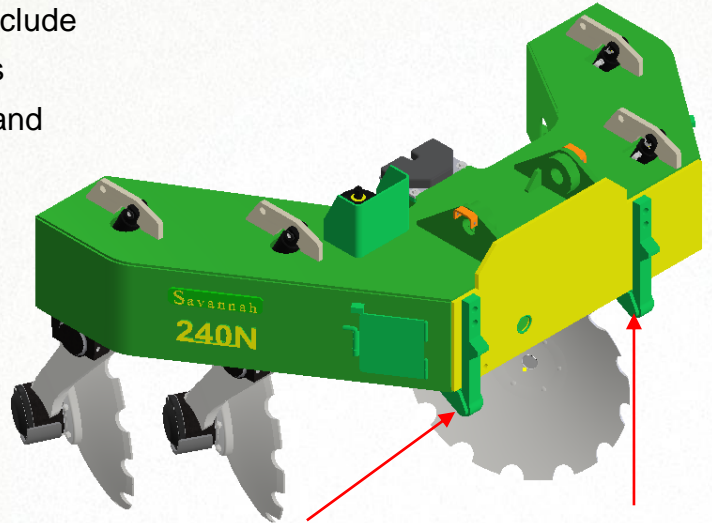


### Parallel Lift Assembly



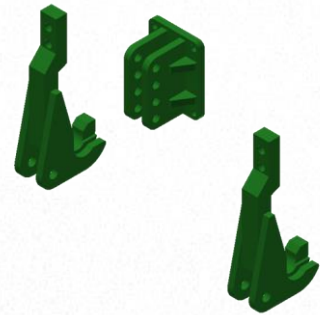
### 200 Series Front Plate

### J-Hook Quick Release Mount

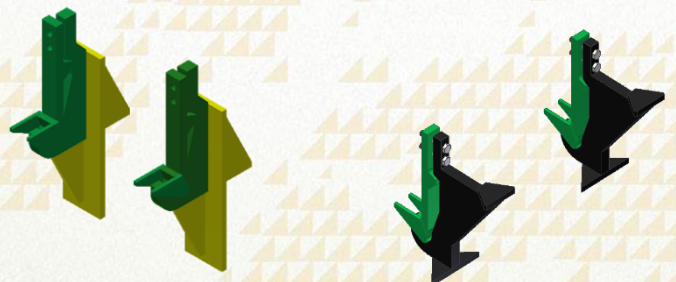


"J-Hook" Female Link

### 3 Point Lift J-Hook Assembly



### Ripper Frame Weld On J-Hook Brackets

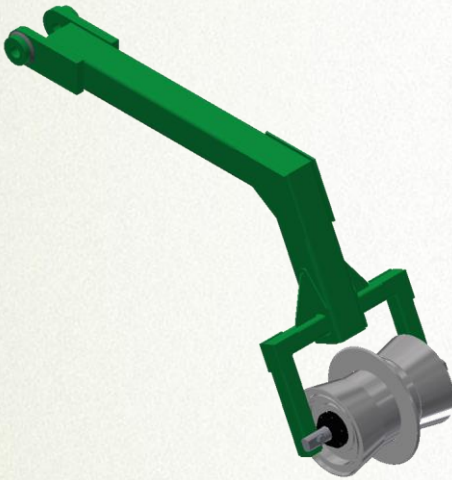




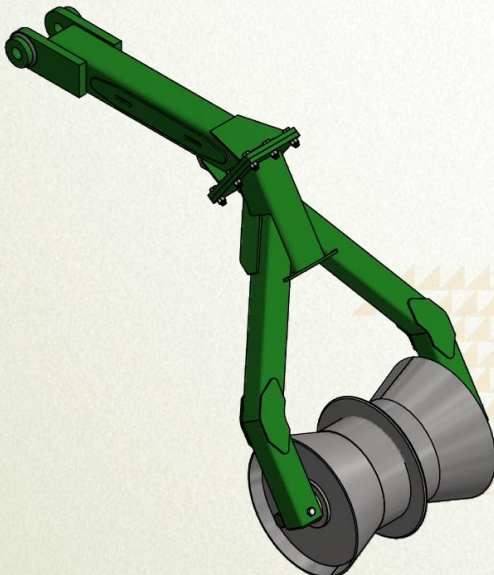
## Roller Options

- 200 Series Plow Roller Options Include 1m and 650mm wide roller configurations with frames that pin onto 200 Series Plow Frames.
- Each Roller Includes greaseable 80cm tapered roller bearings, with double slotted locknuts and tab-washers.

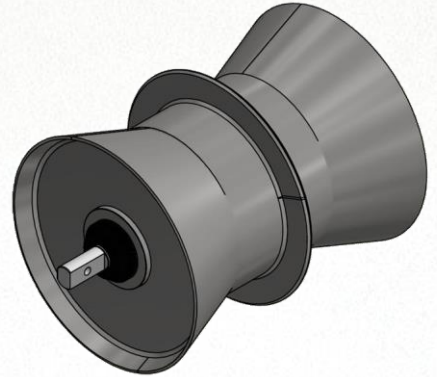
### 650mm (26") Roller Assembly



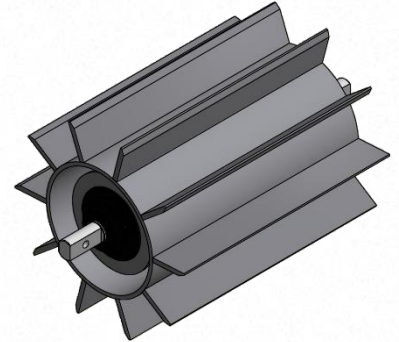
### 1m (40") Roller Assembly



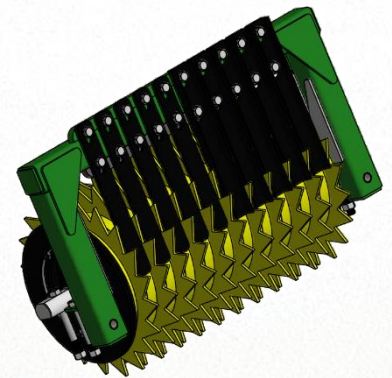
### Hour Glass Roller



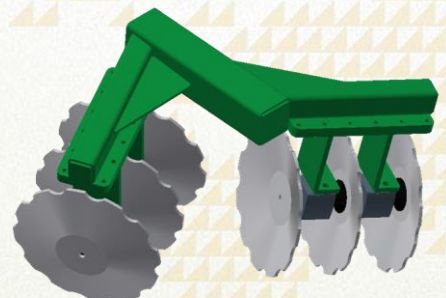
### Chopper Roller



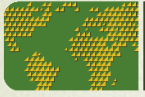
### "Crumble" Ring Roller



### "Super Til" Assembly





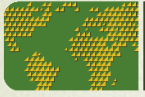


Savannah®

AGRO-FORESTRY SOLUTIONS





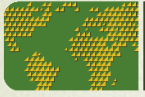


Savannah®

AGRO-FORESTRY SOLUTIONS







Savannah®

AGRO-FORESTRY SOLUTIONS





## Savannah® 200 Series Mounted Plow General Specifications

Model Number	Width of Cut ft (m)	Number of Discs	Suggested Horsepower	Shipping Width ft (m)	Net Weight lbs (kg)
220	5' (1.5)	2	>100	6.5' (2)	2950 (1230)
220N	4' (1.2)	2	>100	5.5' (1.6)	3,100 (1410)
230	5' (1.5)	3	>125	7.2' (2.2)	3,475 (8340)
230N	4.4'(1.3)	3	>125	6.5' (2)	3,300 (1520)
240	7.5' (2.3)	4	>150	9.2'(2.8)	4,500 (2050)
240N	6' (1.8)	4	>150	8.5' (2.6)	4,200(1995)
250	7.5' (2.3)	5	>180 Dozer >200 4WD	9.2' (2.8)	5,950 (2656)
260	8.6'(2.6)	6	>200 Dozer >250 4WD	10.3' (3.1)	6,250 (2870)



AGRO-FORESTRY SOLUTIONS

Savannah Global Solutions, LLC  
 147 East Industrial Blvd  
 Pembroke, GA 31321  
 United States  
**+1 912 200-7700**  
[sg@savannahglobal.com](mailto:sg@savannahglobal.com)



[savannahglobal.com](http://savannahglobal.com)

DEALER INFORMATION